



To place your orders or get quotes, use our e-commerce section in your Invacare Pro space at www.invacare.fr, or order by e-mail at: commandesfr@invacare.com



Positioning accessories for wheelchairs:
 - 2-point and 4-point belts, Evoflex
 - Stayflex, Pivotfit, Triline harnesses
 - Ankle Huggers, calf supports
 - Universal elastic straps,
 - Shower positioning
 - Accessories for electric wheelchairs
 - Accessories

Date :

Référence d'achat :

Code client :

Cachet du distributeur :

GUIDE TO CHOOSE BELTS

CHOOSE A HIP BELT IN FIVE STEPS

Belt type	
HB	Pelvic belt
EB	Evoflex belt
LB	Sub ASIS compatible belt
NB	Unpadded belt
GB	Essentials belt



HB : Hip belt



LB : Sub ASIS compatible belt



EB : Evoflex belt



NB : Unpadded belt

Fixing points	
2	2-point
4	4-point



2 : 2-point

4 : 4-point

Buckle type	
0	Push button
1	Side-release buckle
2	Rehab Latch
3	Small oush button
7	Swivel buckle
8	DuraLatch buckle

Pull style	
5	Center Pull
6	Dual Pull
9	Rear Pull



Belt width (straps)	
S	25 mm
M	38 mm
L	50 mm

Belt width



Padded part length

Padded part length	
32 cm or 36 cm or 38 cm	
40 cm or 46 cm	
40 cm or 46 cm	

End-fittings	
-B1	Flat-Mount
-B2	Cinch-Mount



-B1 : Flat-Mount



-B2 : Cinch-Mount

e.g.: HB 2 0 5 - M 46 - B1

Hip belt - 2-point - Push button - Center-Pull - Width straps M (38 mm) - Padded part length of 46 cm - Flat Mount End Fittings



EVOFLEX & 2-POINT BELTS



SIDE-RELEASE BUCKLE SWIVEL BUCKLE REHAB LATCH BUCKLE PUSH BUTTON End-fit.

Belt types		Size	W/O VAT PRICE	W/O VAT PRICE	W/O VAT PRICE	W/O VAT PRICE	End-fit.
EVOFLEX BELT				125,00	140,00	140,00	
Center Pull		S38		EB275-S38		EB235-S38	
		M46		EB275-M46	EB225-M46	EB205-M46	
		L62			EB225-L62	EB205-L62	
EVOFLEX BELT with extension				155,00	170,00	170,00	
Center Pull		S38		EB275-S38-EBE		EB235-S38-EBE	
		M46		EB275-M46-EBE	EB225-M46-EBE	EB205-M46-EBE	
		L62			EB225-L62-EBE	EB205-L62-EBE	
2-POINT BELT			77,00	87,00	102,00	102,00	
Center Pull		S32	HB215-S32	HB275-S32		HB235-S32	-B1
		S38	HB215-S38	HB275-S38		HB235-S38	
		M36	HB215-M36	HB275-M36	HB225-M36	HB205-M36	
		M46	HB215-M46	HB275-M46	HB225-M46	HB205-M46	
		L62	HB215-L62		HB225-L62	HB205-L62	
		L82				HB205-L82	
		L92				HB205-L92	
2-POINT BELT			77,00				
Dual Pull		S32	HB216-S32				-B1
		S38	HB216-S38				
		M36	HB216-M36				
		M46	HB216-M46				
		L62	HB216-L62				
2-POINT BELT			99,00		124,00	124,00	
Rear Pull		S38	HB219-S38			HB239-S38	-B1
		M40	HB219-M40		HB229-M40	HB209-M40	
		M46	HB219-M46		HB229-M46	HB209-M46	
2-point Sub ASIS compatible belt					112,00	112,00	
Center Pull		S38				LB235-S38	-B1
		M46			LB225-M46	LB205-M46	
		L62			LB225-L62	LB205-L62	
2-point Sub ASIS compatible belt					134,00	134,00	
Rear Pull		M46			LB229-M46	LB209-M46	-B1

UNPADDED 2-POINT BELTS

SIDE-RELEASE BUCKLE SWIVEL BUCKLE REHAB LATCH BUCKLE PUSH BUTTON End-fit.

Belt types		Size	W/O VAT PRICE	W/O VAT PRICE	W/O VAT PRICE	W/O VAT PRICE	End-fit.
2-POINT BELT			50,00		75,00	75,00	
Center Pull		S	NB215S				-B1
		M	NB215M		NB225M	NB205M	
		L	NB215L		NB225L	NB205L	
2-POINT BELT with extension						91,38	
Center Pull		L-ext.				NB205L-EXT	-B1
QUAD BELT					120		
Center Pull		All sizes			NB225L-T		-B1

UPCHARGE FOR CINCH-MOUNT

W/O VAT PRICE






End-fitting Cinch-Mount -B2

8,00



4-POINT BELTS

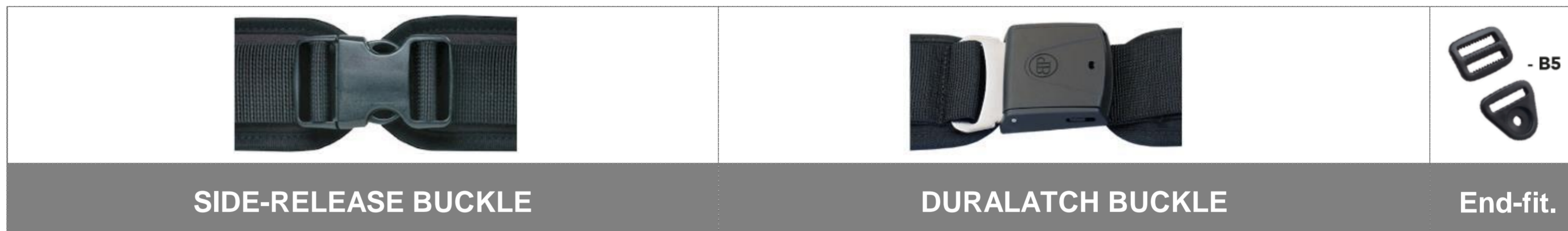




Belt types		Size	W/O VAT PRICE	W/O VAT PRICE	W/O VAT PRICE	W/O VAT PRICE	End-fit.
4-POINT BELT			100,00	110,00	125,00	125,00	
Center Pull 	S32	HB415-S32				HB435-S32	-B1
	S38	HB415-S38		HB475-S38		HB435-S38	
	M36	HB415-M36			HB425-M36	HB405-M36	
	M46	HB415-M46		HB475-M46	HB425-M46	HB405-M46	
	L62	HB415-L62			HB425-L62	HB405-L62	
4-POINT BELT			122,00				
Dual Pull 	S32	HB416-S32					-B1
	S38	HB416-S38					
	M36	HB416-M36					
	M46	HB416-M46					
	L62	HB416-L62					
4-POINT BELT			122,00		147,00	147,00	
Rear Pull 	S38	HB419-S38				HB439-S38	-B1
	M40	HB419-M40			HB429-M40	HB409-M40	
	M46	HB419-M46			HB429-M46	HB409-M46	
4-point Sub ASIS compatible belt					135,00	135,00	
Center Pull 	S38					LB435-S38	-B1
	M46				LB425-M46	LB405-M46	
	L62				LB425-L62	LB405-L62	
4-point Sub ASIS compatible belt			110,00				
Dual Pull 	S38	LB416-S38					
4-point Sub ASIS compatible belt					157,00	157,00	
Rear Pull	M46				LB429-M46	LB409-M46	-B1

UPCHARGE FOR CINCH-MOUNT	W/O VAT PRICE
End-fitting Cinch-mount -B2	16,00

SUB ASIS PADS - Pair		
Item numb.	Length	W/O VAT PRICE
PD401-2	115 mm	90,00
PD402-2	100 mm	90,00

ESSENTIALS BELTS



Belt types		Size	W/O VAT PRICE	W/O VAT PRICE	End-fit.
2-POINT BELT			70,00	70,00	
Center Pull 	S38	GB215-S38		GB285-S38	-B5
	M36	GB215-M36		GB285-M36	
	M46	GB215-M46		GB285-M46	
	L62	GB215-L62		GB285-L62	
4-POINT BELT			80,00	80,00	
Center Pull 	S38	GB415-S38		GB485-S38	-B5
	M36	GB415-M36		GB485-M36	
	M46	GB415-M46		GB485-M46	
	L62	GB415-L62		GB485-L62	

PIVOTFIT, TRIMLINE & STAYFLEX HARNESSSES

Pivotfit & Trimline harnesses

Size	Standard Pivotfit	Dynamic Pivotfit	Trimline	H-Style Essentials
XXS	SH290XXS	SH295XXS		
XS	SH290XS	SH295XS		
S	SH290S	SH295S	SH235S	SH224S
M	SH290M	SH295M	SH235M	SH224M
L	SH290L	SH295L	SH235L	SH224L
XL	SH290XL	SH295XL		SH224XL
	W/O VAT PRICE	W/O VAT PRICE	W/O VAT PRICE	W/O VAT PRICE
-B5	180,00	188,00	140,00	140,00
-B6	188,00	196,00	148,00	



Pivotfit harness



Trimline harness



H-Style Essentials harness

Stayflex harness

Size	Standard Stayflex		Narrow Stayflex	
	Without zip	With zip	Without zip	With zip
S	SH351S	SH350S		
M	SH351M	SH350M	SH361M	SH360M
L	SH351L	SH350L	SH361L	SH360L
XL	SH351XL	SH350XL	SH361XL	SH360XL
	W/O VAT PRICE	W/O VAT PRICE	W/O VAT PRICE	W/O VAT PRICE
-B5	200,00	208,00	200,00	208,00
-B6	208,00	216,00	208,00	216,00

Stayflex harness, Standard, with zip



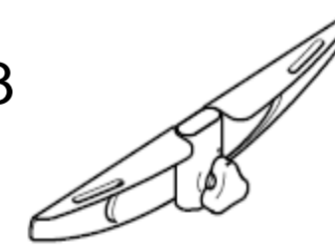
Stayflex harness, narrow, without zip



Harness accessories

Description	Item number	Length	W/O VAT PRICE
Strap Guide for harness	HW100-200-2	Long : 200 mm	49,00
Strap Guide for harness	HW100-150-2	Short : 150 mm	49,00
Strap Guide Mounting Adapters	HW105L-1	Wide : 200 mm	39,00
Strap Guide Mounting Adapters	HW105S-1	Narrow : 150 mm	39,00
Harness hardware for Invacare headrest	SP1559963		52,13

SP1559963



HW105



HW100



HW105

MONOFLEX TRUNK HARNESSSES

Monoflex trunk harnesses

Size	Monoflex		
	One-piece, side opening	Two-piece, central opening	
XS	SH120XS	SH122XS	
S	SH120S	SH122S	
M	SH120M	SH122M	
L	SH120L	SH122L	
XL	SH120XL	SH122XL	
	W/O VAT PRICE	W/O VAT PRICE	
Flat-Mount	-B1	108,00	150,00
Cinch-Mount	-B2	116,00	158,00
	-B3	108,00	



Monoflex, one-piece, side opening



Monoflex, two-piece, central opening

TRUNK HARNESSSES - PECTOR BELTS (one size fits all)

Chest belt

End-fittings	SH102		SH102P	
	Unpadded		Unpadded, with padded strap	
		W/O VAT PRICE		W/O VAT PRICE
Flat-Mount	-B1	95,00		110,00
Cinch-Mount	-B2	103,00		118,00



Unpadded chest belt



Unpadded chest belt, with padded strap



LOWER LIMBS SUPPORT

Ankle Huggers

Size	Ankle Huggers
XS	FT240XS
S	FT240S
M	FT240M
L	FT240L
XL	FT240XL
W/O VAT PRICE	
160,00	



End-fittings for footplates included

Toe straps

Toe straps, pair	FT221	W/O VAT PRICE
		35,00



Toe strap

Aeromesh calf supports

Size	Aeromesh 4-point calf strap	Aeromesh 4-point calf strap
S	SP102S	SP103S
M	SP102M	SP103M
L	SP102L	SP103L
W/O VAT PRICE		W/O VAT PRICE
160,00		160,00



Aeromesh 4-point calf strap



Aeromesh 4-point calf strap

Leg harnesses

Size	Leg harnesses
S	LH600S
M	LH600M
L	LH600L
W/O VAT PRICE	
-B1	95,00
-B2	111,00



Leg harnesses

Universal elastic belt

	Universal elastic belt	Belt extension
Width (cm)	Length : 148 cm	Length : 72,5 cm
8 cm	SP110S	SP111S
11 cm	SP110L	SP111L
15 cm	SP110XL	SP111XL
W/O VAT PRICE		W/O VAT PRICE
104,00		75,00



Universal elastic belt



Belt extension

Mobility Bag

SP001	W/O VAT PRICE
	104,00



CONTROLS FOR ELECTRIC WHEELCHAIRS

Joystick handles

Designation	Grooved Mushroom	Ergonomic U-Shaped	Ergonomic U-Shaped	Rubber Dome	6" Straight
Item number	PC110A PC110B	PC101A PC101B	PC102A PC102B	PC107A PC107B	PC104A PC104B
Diameter / Width	Ø 42 mm	76 mm	100 mm	Ø 66 mm	Ø 13 mm
Height	60 mm	42 mm	42 mm	25 mm	152 mm
W/O VAT PRICE		W/O VAT PRICE	W/O VAT PRICE	W/O VAT PRICE	W/O VAT PRICE
89,00		89,00	89,00	89,00	89,00

Item number with "A" : compatibles with Invacare controls, diameter of 4,8 mm
Item number with "B" : compatibles with 6,4mm diameter controls



Grooved Mushroom



Ergonomic U-Shaped



Ergonomic U-Shaped



Rubber Dome



6" Straight

TRI-LOCK MIDLINE MOUNTING SYSTEM - DRIVING MADE EASY

1. Rotating Shaft

Tri-Lock Rotating Shaft
PC204
W/O VAT PRICE
450,00



2. Midline arm style

Designation	J-shaped arm	L-shaped arm	Straight arm
Item number	PC031	PC032	PC033
	W/O VAT PRICE	W/O VAT PRICE	W/O VAT PRICE
	100,00	100,00	100,00



J-shaped arm



L-shaped arm



Straight Arm

3. Joystick Mounting Clamp

Item number	PC042	PC045	PC046	PC047
For...	MK6i, MPJ+	PGDT Pilot+	MK5, MPJ, Q-Logic	Compact Joystick
	W/O VAT PRICE	W/O VAT PRICE	W/O VAT PRICE	W/O VAT PRICE
	110,00	110,00	110,00	00:00



PC042



PC045



PC046



PC047

4. Armrest mounting clamp

Item number	PC010	PC011	FA171
Hardware	Rail mount	Tube mount	Quick-release lever
	W/O VAT PRICE	W/O VAT PRICE	W/O VAT PRICE
	110,00	110,00	110,00



PC010



PC011



FA171

MIDLINE JOYSTICK MOUNTING KITS

KIT	Kits contain: 1 Tri-Lock Rotating Shaft, plus choice of Midline Arm, Mounting Clamp, and Mounting Adapter.	W/O VAT PRICE 700,00
-----	--	-------------------------

Midline arm style	Armrest mounting clamp	Joystick mounting adapter			
		PC042	PC045	PC046	PC047
J-shaped	Rail mount	PC202-10J	PC205-10J	PC206-10J	PC207-10J
	Tube mount	PC202-11J	PC205-11J	PC206-11J	PC207-11J
L-shaped	Rail mount	PC202-10L	PC205-10L	PC206-10L	PC207-10L
	Tube mount	PC202-11L	PC205-11L	PC206-11L	PC207-11L
Straight	Rail mount	PC202-10S	PC205-10S	PC206-10S	PC207-10S
	Tube mount	PC202-11S	PC205-11S	PC206-11S	PC207-11S

BATH & SHOWER POSITIONING

Aeromesh Bath Belts

Designation	two-piece pad	One-piece pad	One-piece pad
End-fittings	with grommets	with grommets	plastic slides
M	BB101M-1		
L	BB101L-1	BB111L-1	BB112L-1
XL		BB111XL-1	BB112XL-1
	W/O VAT PRICE	W/O VAT PRICE	W/O VAT PRICE
	126,00	126,00	126,00



BB101



BB111



BB112

Shower chair calf support

item number	Height	Length	Seat width	W/O VAT PRICE
BB216-22M	10 cm	42 cm	40 cm	90,00
BB218-22M	10 cm	47 cm	45 cm	90,00
BB220-22M	10 cm	53 cm	51 cm	90,00



BB116

ACCESSORIES

Buckle covers

		W/O VAT PRICE	
Standard push-button buckle replacement cover Button hole: Ø22 cm	FS018E-1	35,00	For 4 cm webbing belts
	FS019E-1	35,00	For 5 cm webbing belts
Reduced acces cover Button hole: Ø14 mm	FS018D-1	35,00	For 4 cm webbing belts
	FS019D-1	35,00	For 5 cm webbing belts
Security cover Button hole: Ø6 mm	FS018C-1	35,00	For 4 cm webbing belts
	FS019C-1	35,00	For 5 cm webbing belts
Extra small security cover Button hole: Ø6 mm	FS029C-1	35,00	For 2,5 cm webbing belts



FS018E-1
FS019E-1



FS018D-1
FS019D-1



FS018C-1
FS019C-1



FS029C-1

Pull loops

		W/O VAT PRICE	
Pull loops	FS200	15,00	For Rehab Latch buckle (10 pack)



FS200

Belts metal end-fittings

			La paire	W/O VAT PRICE	Par lot de 10 paires	W/O VAT PRICE
-B1 Flat-Mount	XS-size belts	25 mm	HKA1-R-1	15,00	HKA1-R-10	135,00
	S and M-size belts	38 mm	HKA1-G-1		HKA1-G-10	
	L-size belts	50 mm	HKA1-B-1		HKA1-B-10	
-B2 Cinch-Mount	XS-size belts	25 mm	HKA2-R-1	28,00	HKA2-R-10	135,00
	S and M-size belts	38 mm	HKA2-G-1		HKA2-G-10	
	L-size belts	50 mm	HKA2-B-1		HKA2-B-10	



HKA1-R
HKA1-G
HKA1-B



HKA2-R
HKA2-G
HKA2-B

Harness plastic end-fittings

			Pair	W/O VAT PRICE
Cam buckle		For 2,5 cm height strap	FS032-2	28,00
		For 4 cm height strap	FS033-2	
		For 5 cm height strap	FS034-2	
-B5 plastic flat-mount	25 mm	For 2,5 cm height strap	HKA31-25MM-1	11,00
	38 mm	For 4 cm height strap	HKA31-38MM-1	
	50 mm	For 5 cm height strap	HKA31-50MM-1	
-B5 plastic flat-mount Pack of 10	25 mm	For 2,5 cm height strap	HKA31-25MM-10	99,00
-B6 plastic cinch-mount	25 mm	For 2,5 cm height strap	HKA32-25MM-1	28,00
-B6 plastic cinch-mount Pack of 10	25 mm	For 2,5 cm height strap	HKA32-25MM-10	135,00
Grommet strap	38 mm		SH025-2	35,00
Harness upper strap	25 mm	For Stayflex, Pivotfit and Trimline harnesses	SH030-2	45,00
Harness lower strap	25 mm	For Stayflex harnesses	SH303XL-2	35,00



FS032
FS033
FS034



HKA31
(-B5)



HKA32
(-B6)



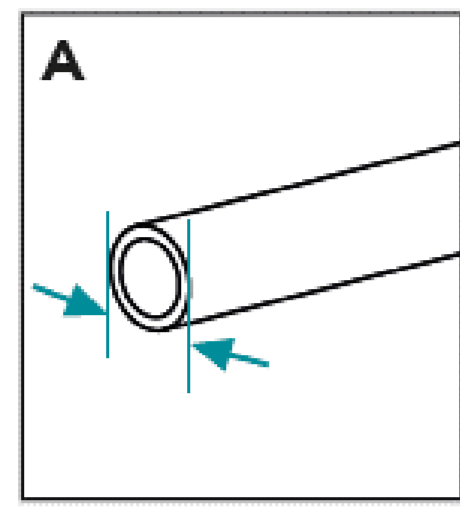
SH025



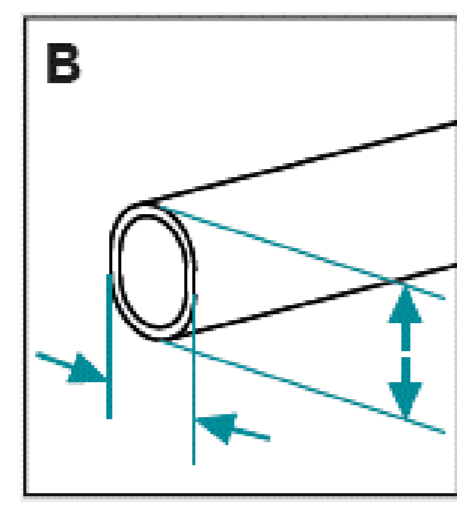
SH030

HARDWARE / ACCESSORIES

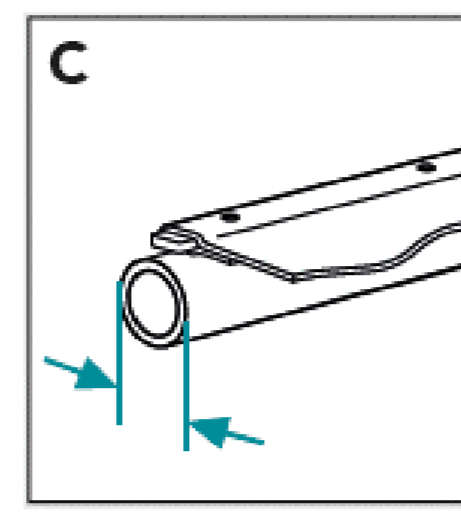
Chassis types



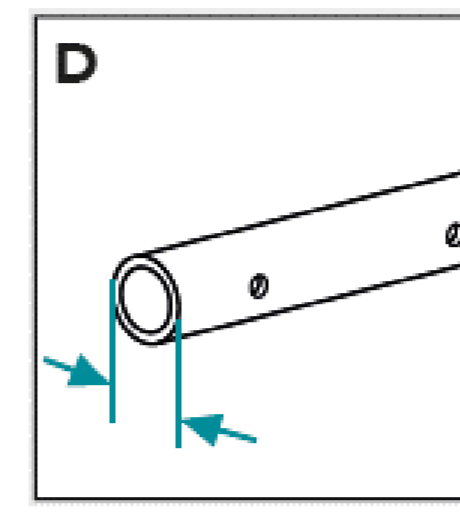
Rounded tube
Ø19, 22, 25, 29,
30, 32 mm



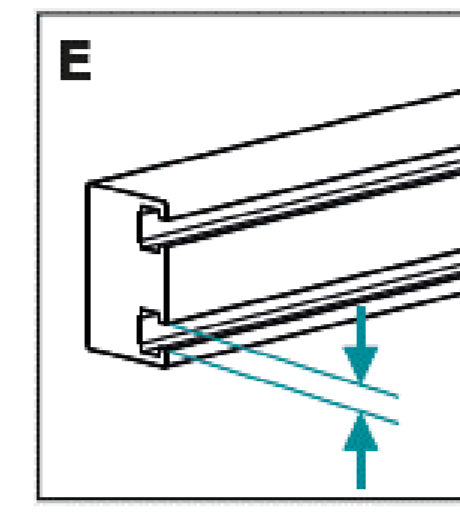
Oval tube
Quickie
wheelchairs
27 mm x 33 mm



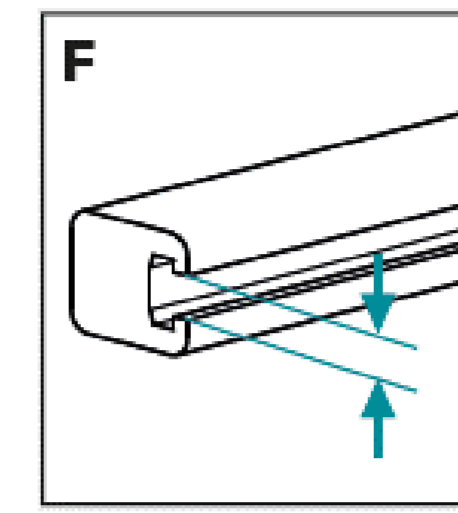
Tube
Upholstery holes on
top



Tube
Threaded holes on
side



6mm T-slots
Permobil, Netti



10mm T-slots
Invacare, Motion
concepts, Quantum

Hardwares

		Pair	W/O VAT PRICE
FrameSaver Clamp & Shim <i>Non compatible with Evoflex belts A, D chassis type</i>	Ø25 mm clamp + Ø22 mm shim	HW303-B-2	19,00
	Ø19 mm shim	HW303-19SHIM-2	19,00
FrameSaver clamps Pack of 10	Ø25 mm clamp + Ø22 mm shim	HW303-B-10	85,00
	Ø19 mm shim	HW303-19SHIM-10	85,00
Band Clamp <i>Type de châssis : A, B, C, D</i>	Ø22 mm band clamp	HW320-22-2	27,00
	Ø25 mm band clamp	HW320-25-2	27,00
	27 x 33 mm, ovale band clamp	HW320-27X33-2	27,00
	Ø29 mm band clamp	HW320-29-2	27,00
	Ø30 mm band clamp	HW320-30-2	27,00
	Ø32 mm band clamp	HW320-32-2	27,00
	Ø22 mm band clamp	HW320-22-10	121,00
Band Clamp Pack of 10	Ø25 mm band clamp	HW320-25-10	121,00
	27 x 33 mm, ovale band clamp	HW320-27X33-10	121,00
	Ø29 mm band clamp	HW320-29-10	121,00
	Ø30 mm band clamp	HW320-30-10	121,00
	Ø32 mm band clamp	HW320-32-10	121,00
Frame Clamp <i>A, C chassis type</i>	Ø22 mm Frame Clamp	HW310-22-A-2	55,00
	Ø25 mm Frame Clamp	HW310-25-A-2	55,00
Frame Clamp Pack of 10	Ø22 mm Frame Clamp	HW310-22-A-10	247,00
	Ø25 mm Frame Clamp	HW310-25-A-10	247,00
6 mm T-Slot Fastener Kit Metal end-fittings <i>E chassis type</i>	Direct fitting of belts or harnesses (lower straps) in the seat rails of the wheelchair - T-head width: 6 mm	HKA6-12MM-1	16,00
6 mm T-Slot Fastener Kit Plastic end-fittings <i>E chassis type</i>	Direct fitting of belts or harnesses (lower straps) in the seat rails of the wheelchair - T-head width: 6 mm	HKA6-14MM-1	16,00
6 mm T-Slot Fastener Kit Metal end-fittings Pack of 10	Direct fitting of belts or harnesses (lower straps) in the seat rails of the wheelchair - T-head width: 6 mm	HKA6-12MM-10	144,00
6 mm T-Slot Fastener Kit Plastic end-fittings Pack of 10	Direct fitting of belts or harnesses (lower straps) in the seat rails of the wheelchair - T-head width: 6 mm	HKA6-14MM-10	144,00
10 mm T-Slot Fastener Kit Metal end-fittings <i>F chassis type</i>	Direct fitting of belts or harnesses (lower straps) in the seat rails of the wheelchair - T-head width: 10 mm	HKA10-14MM-1	16,00
10 mm T-Slot Fastener Kit Plastic end-fittings <i>F chassis type</i>	Direct fitting of belts or harnesses (lower straps) in the seat rails of the wheelchair - T-head width: 10 mm	HKA10-19MM-1	16,00
10 mm T-Slot Fastener Kit Metal end-fittings Pack of 10	Direct fitting of belts or harnesses (lower straps) in the seat rails of the wheelchair - T-head width: 10 mm	HKA10-14MM-10	144,00
10 mm T-Slot Fastener Kit Plastic end-fittings Pack of 10	Direct fitting of belts or harnesses (lower straps) in the seat rails of the wheelchair - T-head width: 10 mm	HKA10-19MM-10	144,00
90° seat mounting bracket <i>C chassis type</i>	Mounting solution on seat (upholstery or seat plate), 90° angle	HW200-90-2	35,00
20° seat mounting bracket <i>D chassis type</i>	Mounting solution on seat (upholstery or seat plate), 20° angle	HW200-20-2	35,00
Knobs for optional Ø38 mm fixings	For bath products	FA812-BP-2	20,00
Bridge and fastening loop	For a pair of Ankle Huggers	FT200AS-1	40,00



HW303-B-2



HW320



HW310



HKA6



HKA10



HW200-90-2



HW200-20-2



FA812-BP-2

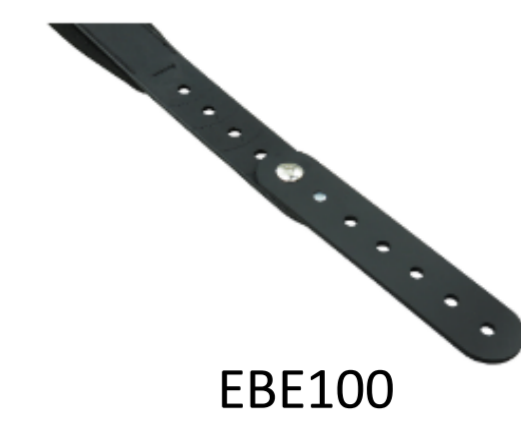


FT200AS-1

HARDWARE / ACCESSORIES

Additional accessories

Mounting extension for Evoflex, pair		EBE100	40,00
Mounting extension for Evoflex Pack of 10		EBE100-10	170,00
Mounting adapter	For 18 cm strap guides	HW105S-1	39,00
Mounting adapter	For 27 cm strap guides	HW105L-1	39,00
Removable hip belt pads, pair	Length 20 cm, for use on belt straps	PD304-2	55,00
Removable hip belt pads, pair	Length 25 cm, for use on belt straps	PD305-2	60,00
Removable hip belt pads, pair	Length 31 cm, for use on belt straps	PD306-2	65,00
Screws and bolts pack	For Corpus Permobil wheelchair guides	HW101P-1	15,00
Additional screws and discs Pack of 10	For Evoflex	HKA11-10	15,00



Other accessories

Assembly kit with tools	See Bodypoint catalog	BMR-41	430,00
Ring made up of different loops		BMR-46	180,00
Calibration tool	For measuring tubes & diameters	BMR-42	18,00
Calibration tool Pack of 10	For measuring tubes & diameters	BMR-42-10	90,00
7 joysticks tray	1/4" (6.4 mm) diameter	BMR-27	350,00
Ring of 7 joysticks	1/4" (6.4 mm) diameter	BMR-45	300,00

