

Please contact Invacare EU Export Customer Services on :-  
 Tel : +33 247 626980 ; Email : serviceclient\_export@invacare.com  
 Or visit our website : www.invacare.eu.com



alber® SMOOV one

Power Add-On for Manual Wheelchair



Description:

- New electric propulsion assistance: SMOOV one
- Lightweight: 7,2 kg
- Rear position light and USB charging socket
- Compatible with folding and rigid frame wheelchairs
- Compatible for air transport
- Connected with bluetooth and free app
- Range : up to 20 km
- Max user weight: 140 kg
- Even more innovation and functionality with the free Mobility App and the Mobility Plus Pack!
- New: rigid bag, ideal for transportation!
- Assembly possible by service providers or Invacare



Date :

Purchase Order :

Customer Code :


Distributor Stamp:

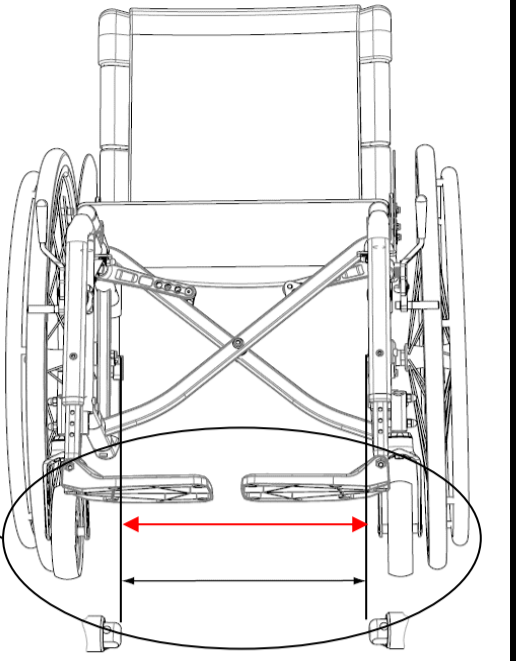
Indicative Public prices - Use the online configurator on Invacare Pro to generate quotes or orders free of incompatibilities with the last rates in force

Please make your selection with a cross in the box      ◆ Standard feature      ○ Free of charge option

CODE	DESCRIPTION	NC : Non Compatible NC : 9999 = not compatible with the reference 9999	HT	
<b>Pack SMOOV One 010 including SMOOV + fixation kit + Rigid bag</b>				
	alber® SMOOV® One 6 or 10 km/h with remote control + fixation kit to choose + rigid transport bag	Select the codes to configure your pack !	4 146,03	
<b>SMOOV One 010</b>				
1592897	<input type="checkbox"/> alber® SMOOV® One - 6 km/h - Remote control with stand included for speed control and on/off		3 800,00	
1592898	<input type="checkbox"/> alber® SMOOV® One - 10 km/h - Remote control with stand included for speed control and on/off		3 800,00	
<b>FIXATION OPTIONS</b>				
1592899	<input type="checkbox"/> Complete kit of SMOOV® One fixings - rigid frame wheelchair (can be installed by any provider)		200,00	
1592900	<input type="checkbox"/> Complete kit of SMOOV® One fixings - folding wheelchair (Compatible with a maximum camber of 2°) (can be installed by any service provider)		200,00	
1584856-SM	<input type="checkbox"/> Installation of the complete fixing kit for SMOOV® One by Invacare (Not mandatory) (return shipping costs not included) Average assembly time: 5 working days upon receipt of the chair (In the case of an existing chair, plan to return it to our workshops within 10 days).		109,95	

**OTHER OPTIONS**

1594521	<input type="checkbox"/> Rigid transport bag	146,03
Mobility App - the free app on your smartphone! Included: selection of driving mode, Cockpit function, recording of journeys made, wheel and remote control settings, diagnostics. Available on App Store and Play Store for free		
Pack Mobility Plus - Android and IOS Included: a maximum speed of 10 km/h, AutoSpeed, Performance driving mode  Purchase directly by the user in the App Store or Play Store (application now available)		



**Information about your chair:**

Serial number:  
 Seat width (in cm):  
 Seat height (in cm):  
 Distance between the ends of the quick-release axles (in cm, for folding wheelchair):



*Test the compatibility of the manual wheelchair using the DIP*

**IMPORTANT - TO BE COMPLETED BY THE USER - IMPORTANT**

Wheelchair already equipped with anti-tippers :  yes  no

I want to use my wheelchair equipped with the alber SMOOV One power add-on without an anti-tipper device. I have been informed of the risk of my wheelchair tipping backwards when using the SMOOV One without an anti-tip device and take therefore full responsibility to use my wheelchair with the SMOOV One device without an anti-tipper.

Last name, first name, date and signature of the user: