

# Rea® Azalea Base® S

Please contact Invacare EU Export Customer Services on :-  
 Tel : +33 247 626980 ; Email : serviceclient\_export@invacare.com  
 Or visit our website : www.invacare.eu.com



## Rea® Azalea® Base S

Wheelchair Base Frame



### Description:

- Adjustable seat depth from 430 mm to 500 mm
- Seat without interface
- Floor/seat height 450 mm
- Seat tilt from + 1° to + 23° by pneumatic cylinder
- Backrest inclination from 0° to + 30° mechanically adjustable by screw
- Height adjustable handles
- Frame color: Pearl Gray (RAL0515)
- Front wheels 6" black bandage (150 x 30 mm)
- 16" or 24" rear wheels with black tires
- Weight: from 20 kg
- Maximum user weight: 135 kg
- 2-year warranty period excluding wear parts

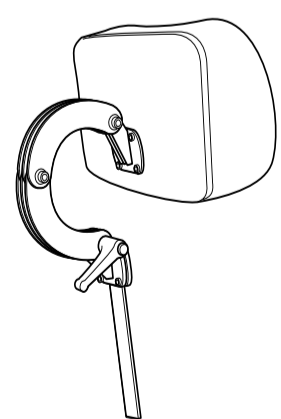
Date :

Purchase Order :

Customer Code :

Distributor Stamp::

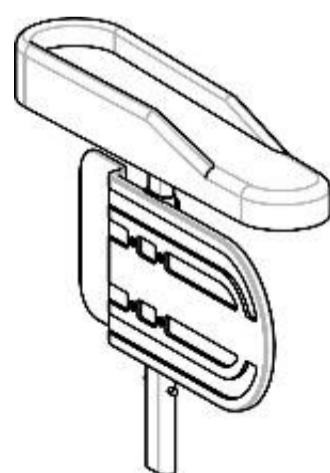
CODE	Qty	Description	Euros
<b>Rea®Azalea®Base S - 16" drum brakes</b>			
<b>16" rear wheels with black tyres, fixed axles.</b>			
1575835		Seat width 390 mm, adjustable from 390 mm to 490 mm	1 317,54
1575872		Seat width 440 mm, adjustable from 440 mm to 540 mm	1 317,54
<b>Rea®Azalea®Base S - 24" manual pull brakes</b>			
<b>24" rear wheels with black tyres, quick-release axles.</b>			
1575873		Seat width 390 mm, adjustable from 390 to 440 mm	1 317,54
1575874		Seat width 440 mm, adjustable from 440 to 490 mm	1 317,54
1575875		Seat width 490 mm, adjustable from 490 to 540 mm	1 317,54
<b>ACCESSORIES (delivered separately)</b>			
<b>Think of Bodypoint positioning accessories: belts, harnesses, ankle supports.</b>			
AP1508848		Neck support	60,10
AP1657051		Legrest adjustable in angle 0° - 75° with footplates adjustable in depth, angle and width, UL adjustable from 290 mm to 520 mm, for width 390 mm, pair	200,49
AP1657107		Legrest adjustable in angle 0° - 75° with footplates adjustable in depth, angle and width, UL adjustable from 290 mm to 520 mm, for width 440 mm, pair	200,49
AP1657108		Legrest adjustable in angle 0° - 75° with footplates adjustable in depth, angle and width, UL adjustable from 290 mm to 520 mm, for width 490 mm, pair	200,49
1575876		Armrests, pair	217,71
1449218		Tablet holder and knob	33,18
1530007		Comfort armrests by pair	80,57
SP1586424		Retractable tray size S (width 590 mm), delivered <b>without</b> pair of Comfort armrests	113,74
SP1586425		Retractable tray size M (width 640mm), delivered <b>with</b> pair of Comfort armrests	113,74



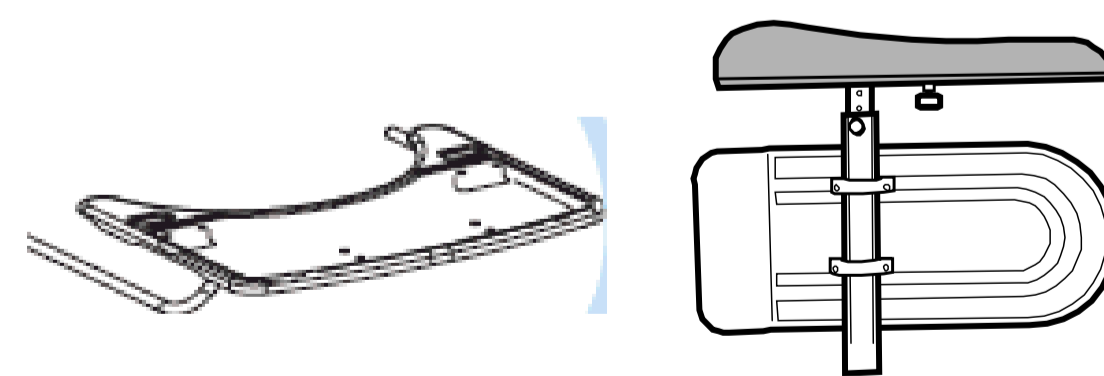
Neck support





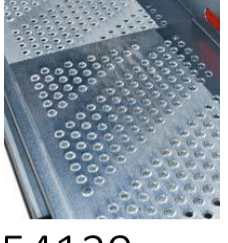
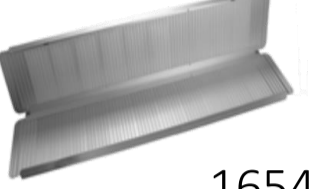
Leg rest



Armrests



Tray + Comfort armrests

RAMPS				
1440530		<b>Fiberglass Folding Mono Ramp</b> Folded dimensions: 2000 x 230 mm 16.3 kg - maximum capacity: 300 kg"	1 787,68	 1440530
1654128		<b>Basic ramp 2 telescopic parts in aluminum and non-slip coating</b> - Folded dimensions: 1210 x 194 mm. 8.8 kg per pair - maximum capacity: 270 kg	402,84	 1654128
1654129		<b>Quick2go Compact</b> 3-part aluminum telescopic ramp with non-slip coating Folded dimensions: 870 x 237 mm 13.6 kg per pair - maximum capacity: 260 kg	805,69	 1654129
1654130		<b>Aluminium folding mono ramp</b> Folded dimensions: 1824 x 714 mm 13.9 kg - maximum capacity: 300 kg	426,54	 1654